

# Link

---

A quality, modular system for conventional waiting areas and informal environments. Fully upholstered square, circular, angular and bench shape options enable the creation of dynamic and flexible layouts to suit any given area.

## Features

---

- CMHR foam
  - Hardwood frame
- 



## LINK



### LINK BENCH

Bench with black nylon feet.

DIMENSIONS	
<b>WIDTH</b>	1150mm
<b>DEPTH</b>	460mm
<b>SEAT HEIGHT</b>	460mm
<b>OVERALL HEIGHT</b>	460mm



### LINK CUBE

Cube with black nylon feet.

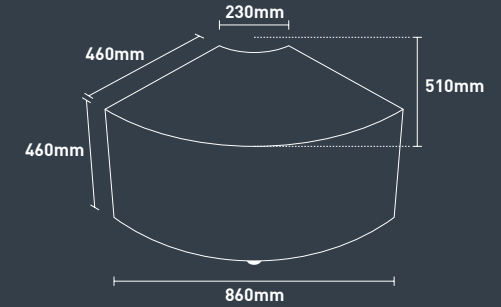
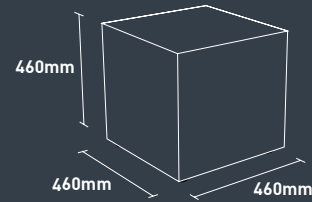
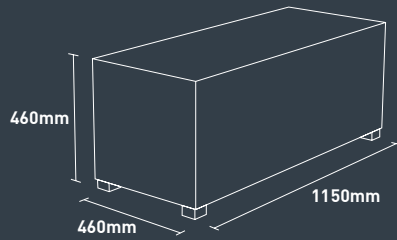
DIMENSIONS	
<b>WIDTH</b>	460mm
<b>DEPTH</b>	460mm
<b>SEAT HEIGHT</b>	460mm
<b>OVERALL HEIGHT</b>	460mm



### LINK QUADRANT

Quarter segment with black nylon feet.

DIMENSIONS	
<b>WIDTH</b>	860mm
<b>DEPTH</b>	510mm
<b>SEAT HEIGHT</b>	460mm
<b>OVERALL HEIGHT</b>	460mm



## LINK



### LINK RADIUS

Circular stool with black nylon feet.

DIMENSIONS	
<b>WIDTH</b>	460mm
<b>DEPTH</b>	460mm
<b>SEAT HEIGHT</b>	460mm
<b>OVERALL HEIGHT</b>	460mm



### LINK SEGMENT

Angled segment with black nylon feet.

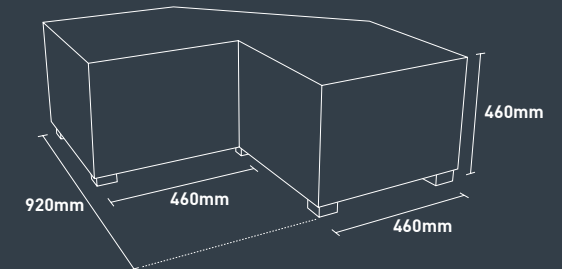
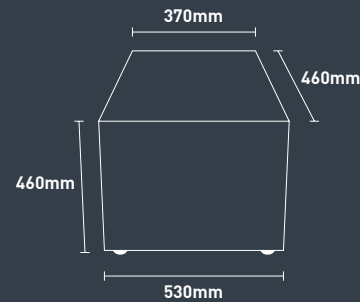
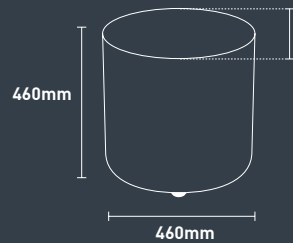
DIMENSIONS	
<b>WIDTH</b>	530mm
<b>DEPTH</b>	460mm
<b>SEAT HEIGHT</b>	460mm
<b>OVERALL HEIGHT</b>	460mm



### LINK TANGENT

Right angle bench with black nylon feet.

DIMENSIONS	
<b>WIDTH</b>	920mm
<b>DEPTH</b>	920mm
<b>SEAT HEIGHT</b>	460mm
<b>OVERALL HEIGHT</b>	460mm





Parkside Mill, Walter Street, Blackburn, Lancashire BB1 1TL  
Telephone: 01254 673 400 Fax: 01254 665 571  
Email: [sales@pulse-design.co.uk](mailto:sales@pulse-design.co.uk) [www.pulse-design.co.uk](http://www.pulse-design.co.uk)



Certificate Number 12877  
ISO 9001